

SBA Series Single Ended Shear Beam Load Cell

Features

- Stainless steel, welded seal
- High precision, High reliability
- Low profile construction
- Threaded load holes
- Protection class: IP67

Applications

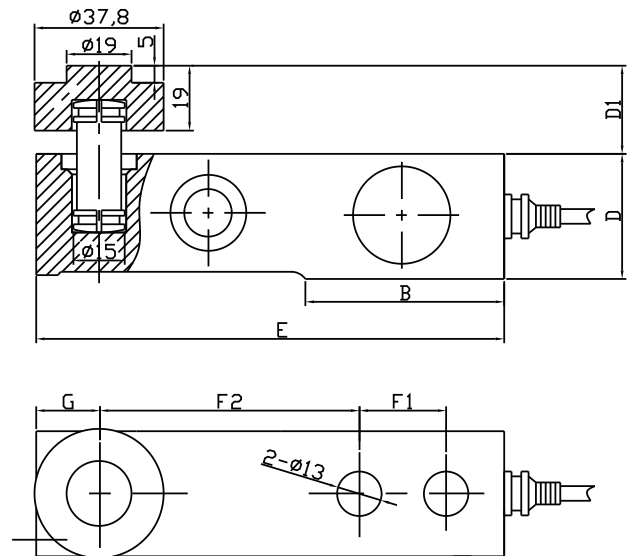
- Platform weighing, axle weighing
- Tank, bin and hopper weighing
- Pallet truck weighing
- Most dispensing equipments in different fields



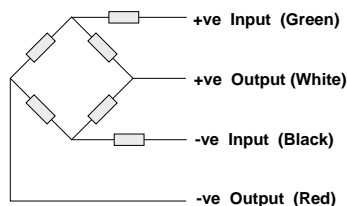
Specifications

Accuracy class	C3 0.02
Output sensitivity	2.0±0.2mV /V
Interlinear	0.02%F.S
Hysteresis	0.02%F.S
Acceptability	0.02%F.S
Creep	0.02%F.S /30min
Temp, Effect on zero	0.02%F.S /10°C
Temp, Effect on output	0.02%F.S /10°C
Zero output	± 1%F.S
Input Resistance	400±5 Ω
Output Resistance	351±2 Ω
Insulation Resistance	≥5000M Ω (100VDC)
Compensated Temp, Range	-10~+40°C
Operation Temp, Range	-20~+65°C
Recommended excitation voltage	10~15V(DC/AC)
Acceptable excitation voltage	6~18V(DC/AC)
Safe overload capacity	150%F.S
Mechanical failure	300%F.S
Sealed standard	IP68
Cable Length	3m, 5m

Dimensions(mm)



Wiring Schematic Diagram (Balanced bridge configuration)



Part Number	Capacity	Dimensions (mm)						
		B	D	E	F1	F2	G	D1
SBA-500	500kg	57.8	30	133.4	25.4	76.2	15.4	31
SBA-1000	1000kg	57.8	30	133.4	25.4	76.2	15.4	31
SBA-2000	2000kg	57.8	36.6	136.7	25.4	76.2	18.4	25
SBA-3000	3000kg	57.8	36.6	136.7	25.4	76.2	18.4	25

SBB Single Ended Shear Beam Load Cell

Features

- Capacity 300 ~ 3000 kg
- Alloy steel or stainless steel
- Silocon sealed or welded seal
- Compact design, Tumble support
- Three types of construction: fixed, shiftable and semi-shiftable
- Protection class: IP68

Applications

- Platform weighing, axle weighing
- Tank, bin and hopper weighing
- Pallet truck weighing
- Most dispensing equipments in different fields

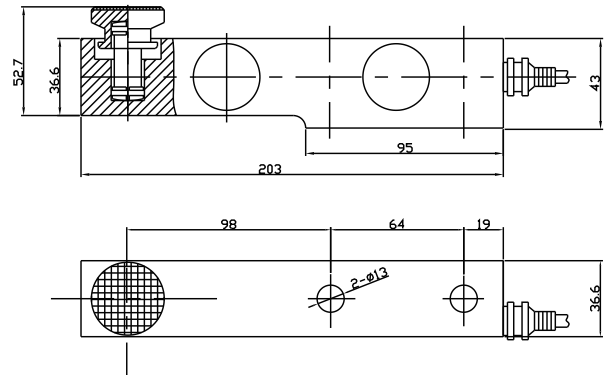
Specifications

Accuracy class	C3 0.02
Output sensitivity	$2.0 \pm 0.2 \text{mV/V}$
Interlinear	0.02%F.S
Hysteresis	0.02%F.S
Acceptability	0.02%F.S
Creep	0.02%F.S /30min
Temp, Effect on zero	0.02%F.S /10°C
Temp, Effect on output	0.02%F.S /10°C
Zero output	$\pm 1\% \text{F.S}$
Input Resistance	$400 \pm 5 \Omega$
Output Resistance	$351 \pm 2 \Omega$
Insulation Resistance	$\geq 5000 \text{M} \Omega (100 \text{VDC})$
Compensated Temp, Range	-10~+40°C
Operation Temp, Range	-20~+65°C
Recommended excitation voltage	10~15V(DC/AC)
Acceptable excitation voltage	6~18V(DC/AC)
Safe overload capacity	150%F.S
Mechanical failure	300%F.S
Sealed standard	IP68
Cable Length	3m, 5m

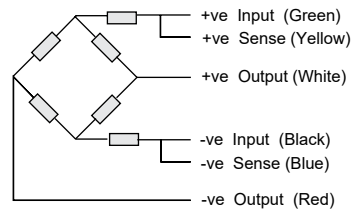
Dimensions:



Dimensions (mm)



Wiring Schematic Diagram



SBC Series Single Ended Shear Beam Load Cell

Features

- Alloy steel, Silicon sealed
- High precision, High reliability
- Low profile construction
- Threaded load holes
- Protection class: IP67

Applications

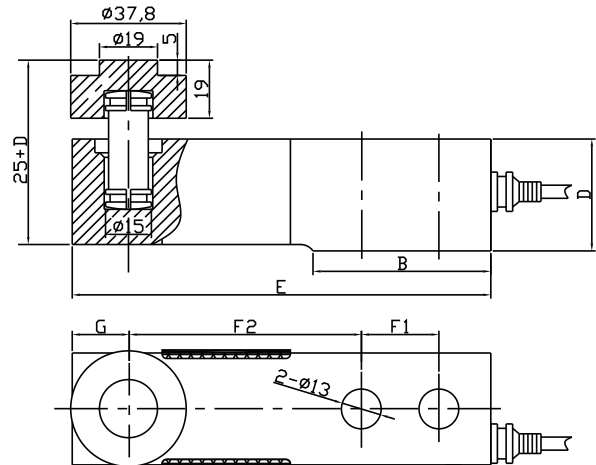
- Platform weighing, axle weighing
- Tank, bin and hopper weighing
- Pallet truck weighing
- Most dispensing equipments in different fields



Specifications

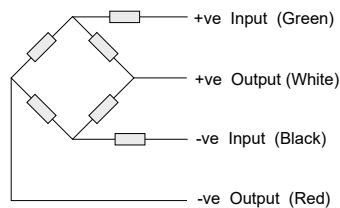
Accuracy class	C3 0.02
Output sensitivity	2.0±0.2mV /V
Interlinear	0.02%F.S
Hysteresis	0.02%F.S
Acceptability	0.02%F.S
Creep	0.02%F.S /30min
Temp, Effect on zero	0.02%F.S /10°C
Temp, Effect on output	0.02%F.S /10°C
Zero output	±1%F.S
Input Resistance	400±5 Ω
Output Resistance	351±2 Ω
Insulation Resistance	≥5000M Ω (100VDC)
Compensated Temp, Range	-10~+40°C
Operation Temp, Range	-20~+65°C
Recommended excitation voltage	10~15V(DC/AC)
Acceptable excitation voltage	6~18V(DC/AC)
Safe overload capacity	150%F.S
Mechanical failure	300%F.S
Sealed standard	IP68
Cable Length	3m, 5m

Dimensions(mm)



Wiring Schematic Diagram

(Balanced bridge configuration)

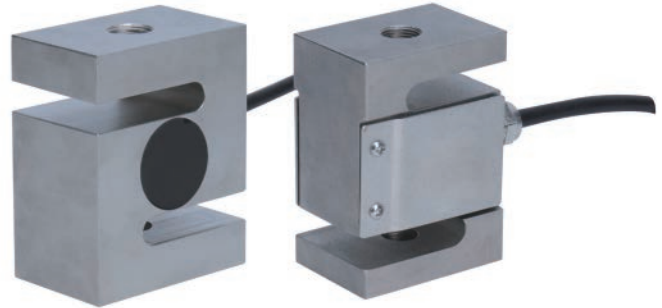


Part Number	Capacity	Dimensions (mm)					
		B	D	E	F1	F2	G
SBC-300	300kg	57.8	35	133.4	25.4	76.2	15.4
SBC-500	500kg	57.8	35	133.4	25.4	76.2	15.4
SBC-1000	1000kg	58.2	36.6	136.7	25.4	76.2	18.4
SBC-2000	2000kg	58.2	36.6	136.7	25.4	79.2	18.4
SBC-3000	3000kg	58.2	36.6	136.7	25.4	79.2	18.4

STA Series S-Type Load Cells

Features

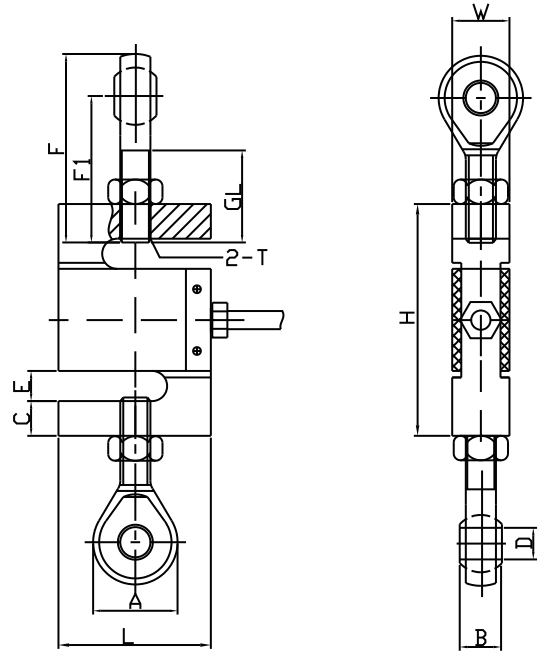
- Alloy steel in top quality, Silicon sealed
- High precision, more reliable
- Simple installation
- Tension or compression application
- Matched sensitivity for easy replacement
- Protection class: IP67
- Applications:
Suitable for weighing measurement and force measurement



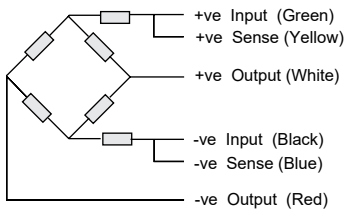
Specifications

Accuracy class	C3 0.02
Output sensitivity	2.0±0.2mV /V
Interlinear	0.02%F.S
Hysteresis	0.02%F.S
Acceptability	0.02%F.S
Creep	0.02%F.S /30min
Temp, Effect on zero	0.02%F.S /10°C
Temp, Effect on output	0.02%F.S /10°C
Zero output	±1%F.S
Input Resistance	400±20 Ω
Output Resistance	351±2 Ω
Insulation Resistance	≥5000M Ω (100VDC)
Compensated Temp, Range	-10~+40°C
Operation Temp, Range	-20~+65°C
Recommended excitation voltage	10~15V(DC/AC)
Acceptable excitation voltage	6~18V(DC/AC)
Safe overload capacity	150%F.S
Mechanical failure	300%F.S
Sealed standard	IP67
Cable Length	50~5000kg 5m

Dimensions(mm)



Wiring Schematic Diagram

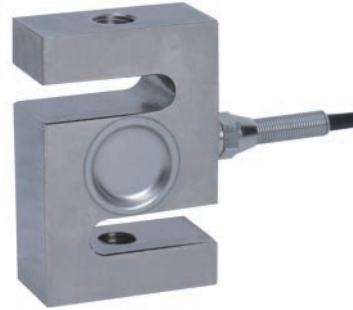


Part Number	Capacity	W	H	L	T	C	E	D	B	A	F	F1	GL
STA-50	50 kg	18.5	77	50.8	M10x1	10	10	10	14	28	62	48	28
STA-100	100 kg	18.5	77	50.8	M10x1	10	10	10	14	28	62	48	28
STA-200	200 kg	18.5	77	50.8	M10x1	10	10	10	14	28	62	48	28
STA-300	300 kg	24.5	77	50.8	M10x1	10	10	10	14	28	62	48	28
STA-500	500 kg	24.5	77	50.8	M12x1	12	10	12	16	32	70	54	32
STA-1000	1000 kg	36	77	50.8	M12x1	12	10	12	16	32	70	54	32
STA-2000	2000 kg	45	86	50.8	M16x1.5	17	17.5	16	21	37	80	66	37
STA-3000	3000 kg	50	100	80	M18x1.5	17	20	18	23	41	94	72	41
STA-5000	5000 kg	58	130	92	M20x2	20	26	20	25	45	103	78	45

STB Series S-Type Load Cells

Features

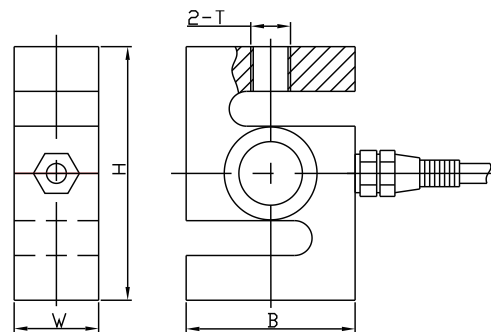
- Alloy steel in top quality, Silicon sealed or welded seal
- High precision, High reliability
- Simple installation, most accessories for choice
- High impact resistance and anti-overloading
- Protection class: IP67
- Applications:
Suitable for weighing measurement and force testing



Specifications

Accuracy class	C3 0.02
Output sensitivity	2.0±0.2mV /V
Interlinear	0.02%F.S
Hysteresis	0.02%F.S
Acceptability	0.02%F.S
Creep	0.02%F.S /30min
Temp, Effect on zero	0.02%F.S /10°C
Temp, Effect on output	0.02%F.S /10°C
Zero output	±1%F.S
Input Resistance	400±20 Ω
Output Resistance	351±2 Ω
Insulation Resistance	≥5000M Ω (100VDC)
Compensated Temp, Range	-10~+40°C
Operation Temp, Range	-20~+65°C
Recommended excitation voltage	10~15V(DC/AC)
Acceptable excitation voltage	6~18V(DC/AC)
Safe overload capacity	150%F.S
Mechanical failure	300%F.S
Sealed standard	IP67
Cable Length	200~5000kg 3m

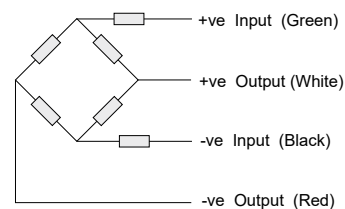
Dimensions (mm)



Part Number	Capacity	W	H	L	T
STB-200	200 kg	19	76.2	50.8	M12
STB-300	300 kg	19	76.2	50.8	M12
STB-500	500 kg	25.4	76.2	50.8	M12
STB-1000	1000 kg	25.4	76.2	50.8	M16
STB-1500	1500 kg	25.4	76.2	50.8	M16
STB-3000	3000 kg	25.4	108	50.8	M16
STB-5000	5000 kg	25.4	108	50.8	M18

Wiring Schematic Diagram

(Balanced bridge configuration)



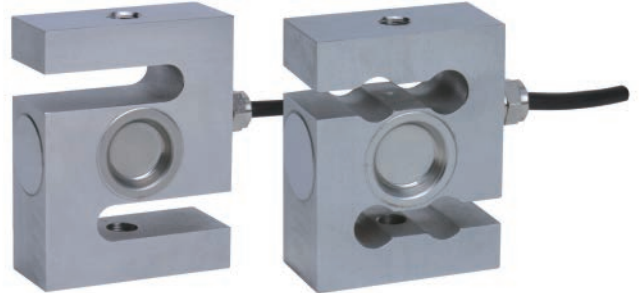
STC Series S-Type Load Cells

Features

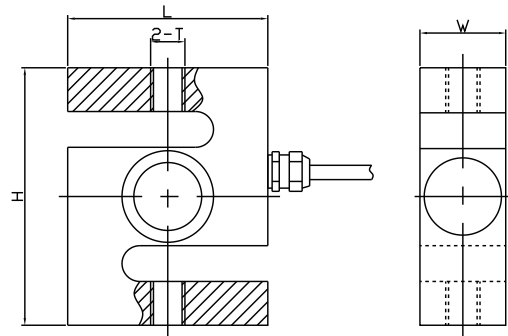
- Stainless steel, welded seal
- High accuracy, more reliable and stable
- Tension or compression force measurement
- Matched sensitivity for easy replacement
- Protection class: IP67
- Applications:
Tank scales, hopper scales, Silo
Electronic scales
Force testing equipment

Specifications

Accuracy class	C3 0.02
Output sensitivity	2.0±0.2mV /V
Interlinear	0.02%F.S
Hysteresis	0.02%F.S
Acceptability	0.02%F.S
Creep	0.02%F.S /30min
Temp, Effect on zero	0.02%F.S /10°C
Temp, Effect on output	0.02%F.S /10°C
Zero output	± 1%F.S
Input Resistance	380±5 Ω
Output Resistance	351±1 Ω
Insulation Resistance	≥5000M Ω (100VDC)
Compensated Temp, Range	-10~+40°C
Operation Temp, Range	-20~+65°C
Recommended excitation voltage	10~15V(DC/AC)
Acceptable excitation voltage	6~18V(DC/AC)
Safe overload capacity	150%F.S
Mechanical failure	300%F.S
Sealed standard	IP68
Cable Length	200~3000kg 5m

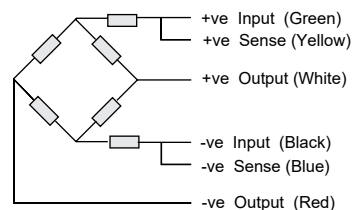


Dimensions (mm)



Part Number	Capacity	W	H	L	T
STC-200	200 kg	30	80	62	M10x1
STC-500	500 kg	30	80	62	M10x1
STC-1000	1000 kg	30	90	70	M12
STC-2000	2000 kg	45	86	70	M16x1.5
STC-5000	5000 kg	50	100	80	M16x1.5

Wiring Schematic Diagram



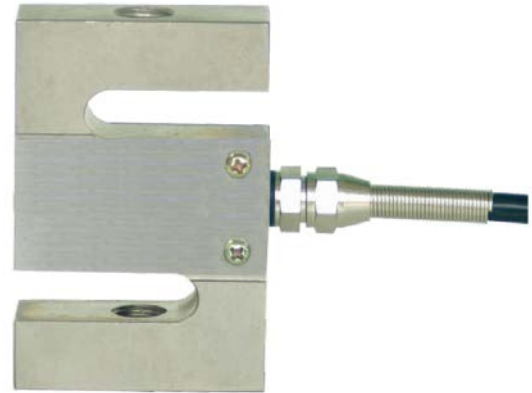
STD Series S-Type Load Cells

Features

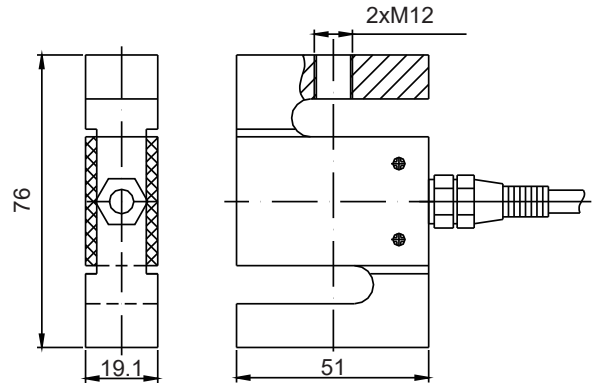
- Alloy steel, nickel plated
- High accuracy, more reliable and stable
- Tension or compression force measurement
- Matched sensitivity for easy replacement
- Protection class: IP67
- Applications:
Tank scales, hopper scales, Silo
Electronic scales
Force testing equipment

Specifications

Accuracy class	C3 0.02
Output sensitivity	3.0±0.2mV /V
Interlinear	0.02%F.S
Hysteresis	0.02%F.S
Acceptability	0.02%F.S
Creep	0.02%F.S /30min
Temp, Effect on zero	0.02%F.S /10°C
Temp, Effect on output	0.02%F.S /10°C
Zero output	±1%F.S
Input Resistance	400±10Ω
Output Resistance	350±2Ω
Insulation Resistance	≥5000MΩ (100VDC)
Compensated Temp, Range	-20~+60°C
Operation Temp, Range	-30~+70°C
Recommended excitation voltage	10~15V(DC/AC)
Safe overload capacity	200%F.S
Mechanical failure	300%F.S
Sealed standard	IP67



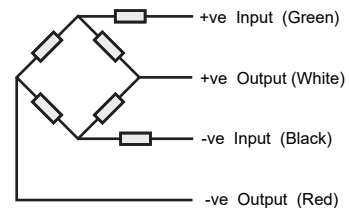
Dimensions (mm)



Part Number	Capacity				
STD-50	50 kg				
STD-100	100 kg				
STD-200	200 kg				
STD-250	250 kg				
STD-500	500 kg				

Wiring Schematic Diagram

(Balanced bridge configuration)



SPA Series Single-Point Load Cell

Features

- Single-point 250x350mm platform
- Aluminum alloy
- High accuracy
- Protection class: IP65

Applications

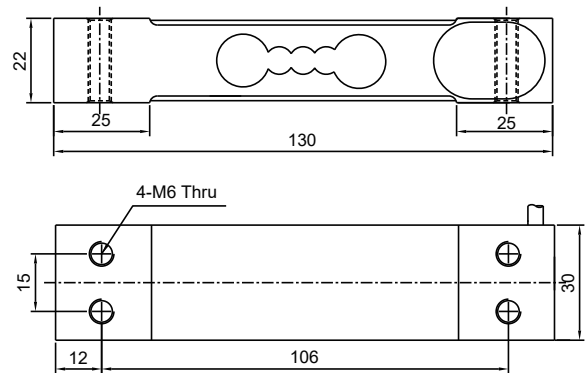
- Mainly used for price computing scale, counting scales, Hanging scales

Specifications

Maximum Capacity	3,6,10,15,20,30,40,50(kg)
Accuracy Class	G
Sensitivity	2.0±0.1mV/V
Nonlinearity(Included Hysteresis)	±0.015%F.S
Repeatability	±0.02%F.S
Creep(30Min)	±0.02%F.S
Temperature Effect On Zero Balance	±0.02%F.S /10°C
Temperature Effect On Sensitivity	±0.02%F.S /10°C
Service Temperature Range	-30~+70°C
Compensated Temperature Range	-20~+60°C
Safe Load Limit	150%F.S
Lateral Load Limit	200%F.S
Breaking Load	300%F.S
Input Resistance	405±10Ω
Output Resistance	350±3Ω
Insulation Resistance	≥5000MΩ
Zero Balance	±1%F.S
Recommended Excitation Voltage	10V(DC)
Maximum Excitation Voltage	15V(DC)
Construction	Aluminum
Cable Length	φ4mm*0.4m
Protection Class	IP65
Standards	GB/T7551-2008 OIMLR60

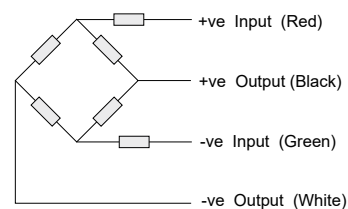


Dimensions(mm)



Wiring Schematic Diagram

(Balanced bridge configuration)



SPB Series Single-Point Load Cell

Features

- Single-point 400x400mm platform
- Aluminum alloy
- High accuracy
- Protection class: IP67

Applications

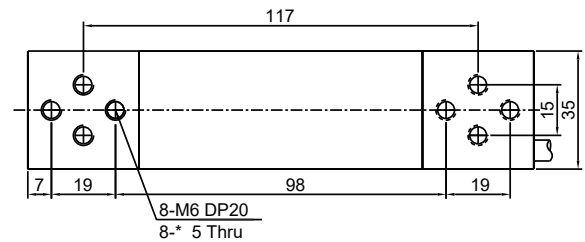
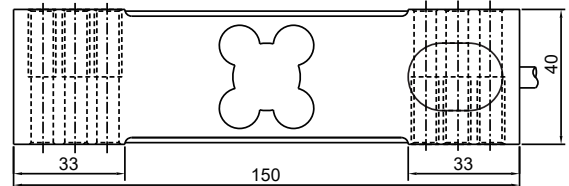
- Mainly used for price computing scale, counting scales, Hanging scales



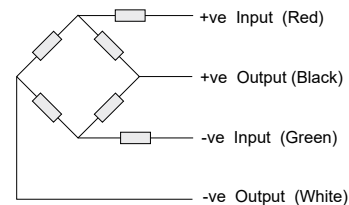
Specifications

Maximum Capacity	25.40.60.100.200.350(kg)
Accuracy Class	G*
Sensitivity	2.0±5%mV /V
Nonlinearity(Included Hysteresis)	±0.015%F.S
Repeatability	±0.01%F.S
Creep(30Min)	±0.02%F.S
Temperature Effect On Zero Balance	±0.02%F.S /10°C
Temperature Effect On Sensitivity	±0.02%F.S /10°C
Service Temperature Range	-30~+70°C
Compensated Temperature Range	-20~+60°C
Safe Load Limit	150%F.S
Lateral Load Limit	200%F.S
Breaking Load	300%F.S
Input Resistance	405±10 Ω
Output Resistance	350±5 Ω
Insulation Resistance	≥5000M Ω
Zero Balance	±1%F.S
Recommended Excitation Voltage	10V(DC)
Maximum Excitation Voltage	15V(DC)
Construction	Aluminum
Cable Length	φ5mmX0.4m *
Protection Class	IP65
Standard	GB/T7551-2008 OIMLR60

Dimensions(mm)



Wiring Schematic Diagram (Balanced bridge configuration)



DBA Series Double-Ended Shear Beam Load Cell

Features

- Free of horizontal movement
- Insensitive to side load
- Electroless nickel-plated alloy tool steel
- Protection class: IP67

Applications

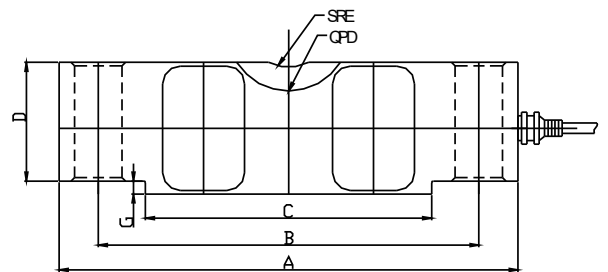
- Truck/rail scales
- Silo/hopper/tank weighing
- Fork-lift scales



Specifications

Maximum Capacity	10~75k lb
Accuracy Class	C3
Sensitivity	2.0±0.1mV/V
Nonlinearity(Included Hysteresis)	±0.02%F.S
Repeatability	±0.02%F.S
Creep(30Min)	±0.02%F.S
Temperature Effect On Zero Balance	±0.02%F.S /10°C
Temperature Effect On Sensitivity	±0.02%F.S /10°C
Service Temperature Range	-30~+70°C
Compensated Temperature Range	-20~+60°C
Safe Load Limit	150%F.S
Lateral Load Limit	200%F.S
Breaking Load	300%F.S
Input Resistance	760±10Ω
Output Resistance	701±2Ω
Insulation Resistance	≥5000MΩ
Zero Balance	±1%F.S
Recommended Excitation Voltage	10V(DC)
Maximum Excitation Voltage	15V(DC)
Construction	Alloy steel
Cable Length	12m, 16m
Protection Class	IP67
Standard	GB/T7551-2008 OIMLR60

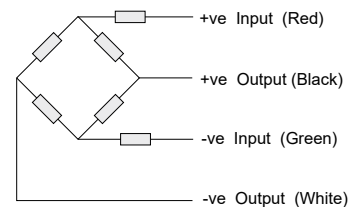
Dimensions(mm)



Part Number	Capacity	Dimensions (mm)						
		A	B	C	D	E	F	G
DBA-10	10	196.9	165.1	125.1	43.2	19.1	22.9	6.1
DBA-25	25	196.9	165.1	125.1	43.2	19.1	22.9	6.1
DBA-40	40	260.4	215.9	162.4	53.3	25.4	28.5	8.7
DBA-50	50	260.4	215.9	162.4	67.3	25.4	34.8	7.4
DBA-75	75	260.4	215.9	162.4	67.3	25.4	34.8	7.4

Wiring Schematic Diagram

(Balanced bridge configuration)



LCD Series Low Profile Compress Disk Load Cell

Features

- Compact size with low profile
- High precision, High reliability
- Easy Installation
- Protection class: IP67

Applications

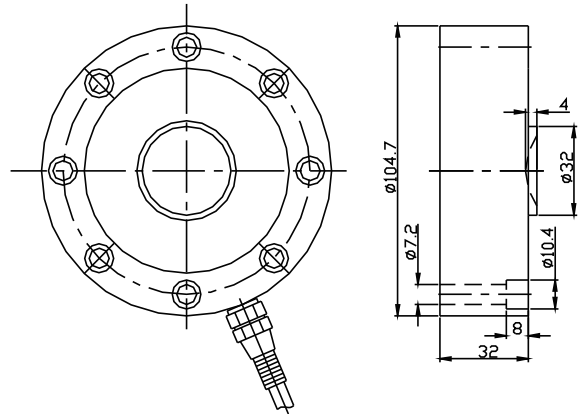
- Truck/rail scales
- Silo/hopper/tank weighing
- Universal material tester
- Tensile/pulling force measure

Specifications

Maximum Capacity	1000 - 3000KG
Sensitivity	2.0±0.1mv/v
Nonlinearity(Included Hysteresis)	±0.02%F.S
Repeatability	±0.02%F.S
Creep(30Min)	±0.02%F.S
Temperature Effect On Zero Balance	±0.02%F.S /10℃
Temperature Effect On Sensitivity	±0.02%F.S /10℃
Service Temperature Range	-30~+70℃
Compensated Temperature Range	-20~+60℃
Safe Load Limit	150%F.S
Lateral Load Limit	200%F.S
Breaking Load	300%F.S
Input Resistance	760±10Ω
Output Resistance	701±2Ω
Insulation Resistance	≥5000MΩ
Zero Balance	±1%F.S
Recommended Excitation Voltage	10V(DC)
Maximum Excitation Voltage	15V(DC)
Construction	Alloy steel
Cable Length	3m, 8m
Protection Class	IP67
Standard	GB/T7551-2008 OIMLR60



Dimensions(mm)



Wiring Schematic Diagram (Balanced bridge configuration)

